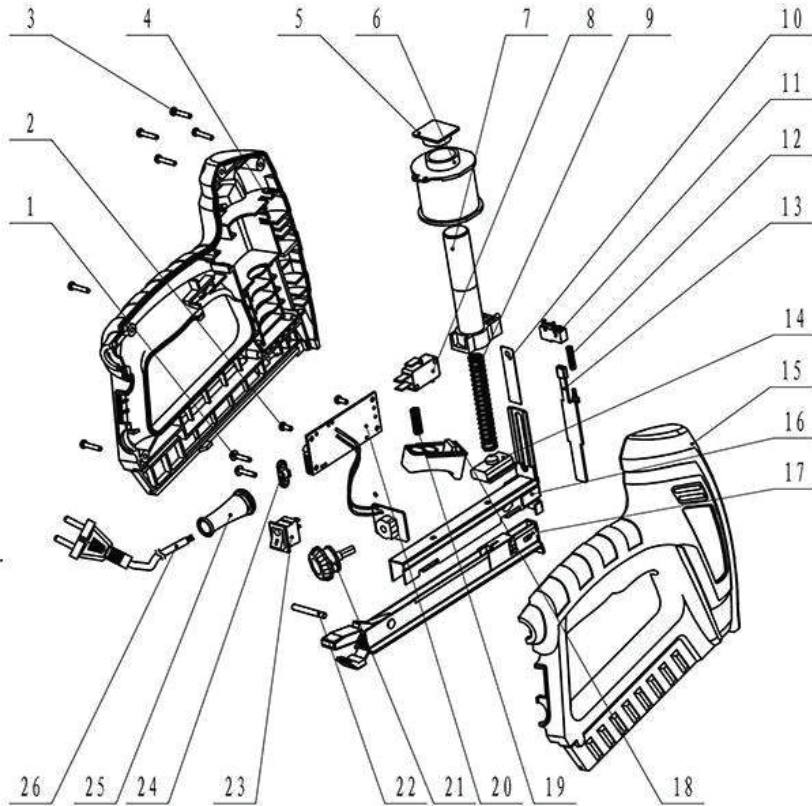


**Exploded View Of Electric Stapler RD-ES16**

## Spare Parts

Number	Name	QTY
1	screw	2
2	screw	2
3	screw	6
4	left housing	1
15	right housing	1
5	bumper	1
6	coil stack assembly	1
7	iron core assembly	1
8	main switch	1
9	iron core spring	1
10	firing pin	1
11	safety switch	1
12	humper spring	1
13	humper assembly	1
14	bumper	1
16	firing pin guide groove assembly	1
17	magzine assembly	1
18	trigger	1
19	trigger spring	1
20	PCB	1
21	control knob	1
22	guide rail dowel pin	1
23	power switch	1
24	cord guard	1
25	cord bushing	1
26	cordset( VDE,L=2m)	1